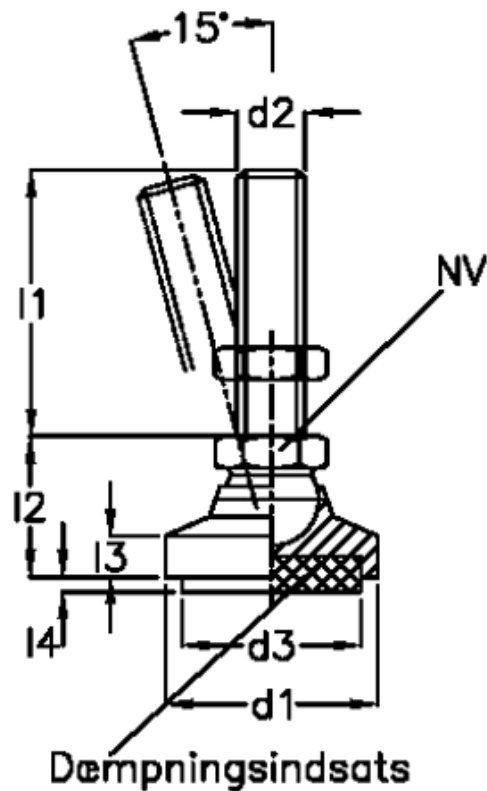


Article number: 20956505
 Description: E+GLEvelling foot
 GN 342.2-40-M12-63-SV

Measures



| | | |
|--|--|--------|
| Area(m ²) damping insert = 1134 | l ₄ compression 0.4 N/mm ² | = 4.8 |
| d ₁ = 40 | l ₄ compression 0.6 N/mm ² | = 3.9 |
| d ₂ = M12 | Load (N) by compression 0.4 N/mm ² | = 450 |
| d ₃ = 38 | NV | = 18 |
| l ₁ = 63 | t | = 11.5 |
| l ₂ = 30.0 | | |
| l ₃ = 9.5 | | |
| l ₄ compression 0 N/mm ² = 6.0 | | |